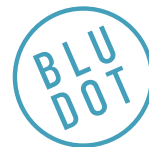
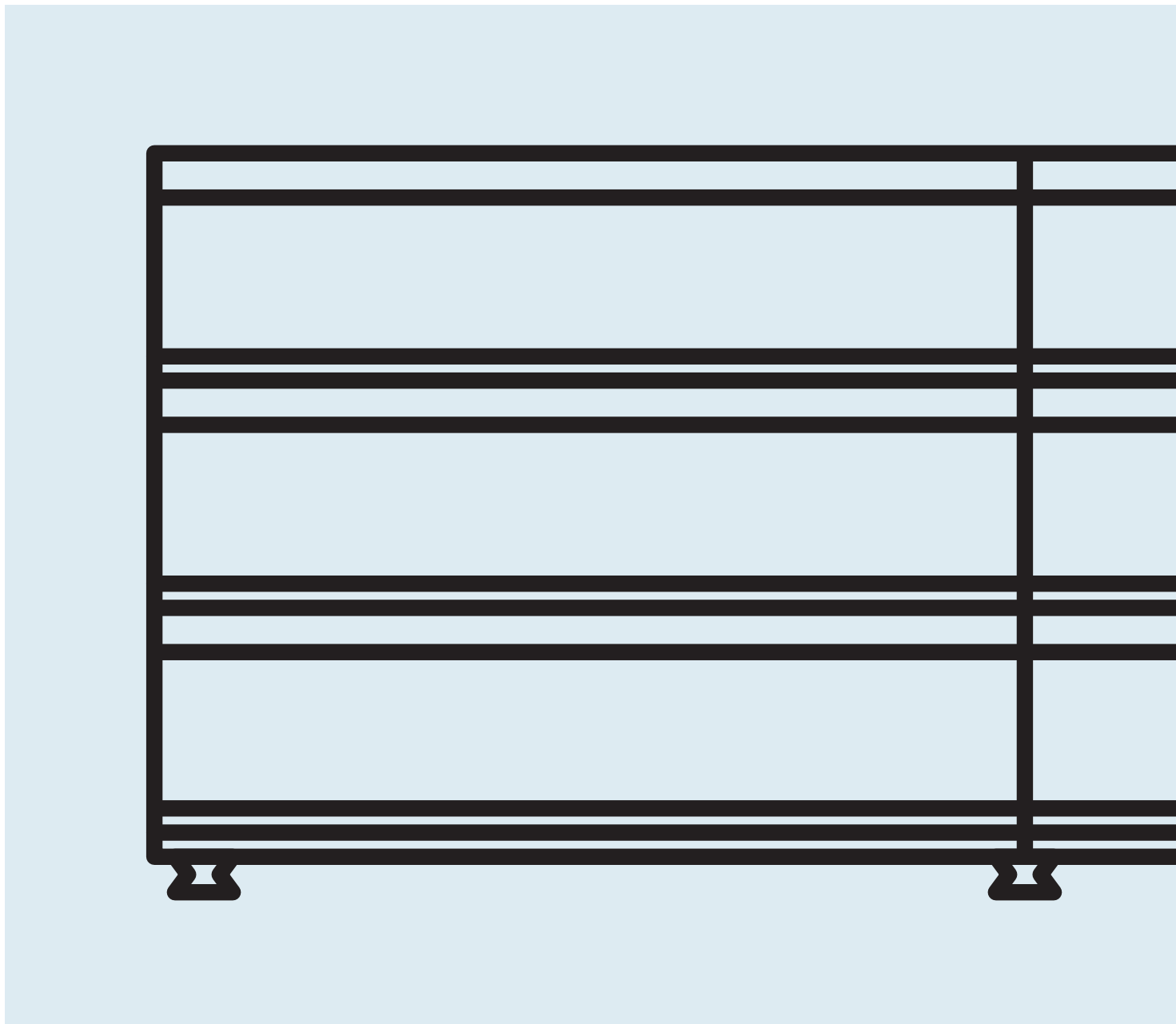


# Superchoice Collection



DESIGNED IN 2017

ASSEMBLY NOTES | REV 04



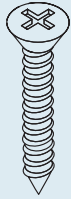
## CONTOUR DU JOUR.

Uncomplicated storage for messy times. Beveled relief drawer pulls are set off by a matte painted finish.

## NEED A HAND?

Contact us at [service@bludot.com](mailto:service@bludot.com) or **844.425.8368** for assistance.

# Parts & Hardware



QTY

4

QTY

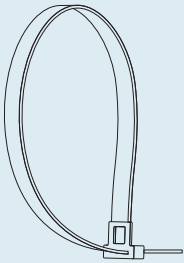
PT. 1220



4

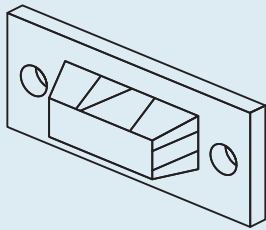
QTY

PT. 1221



2

PT. 8042

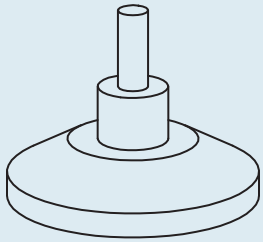


QTY

4

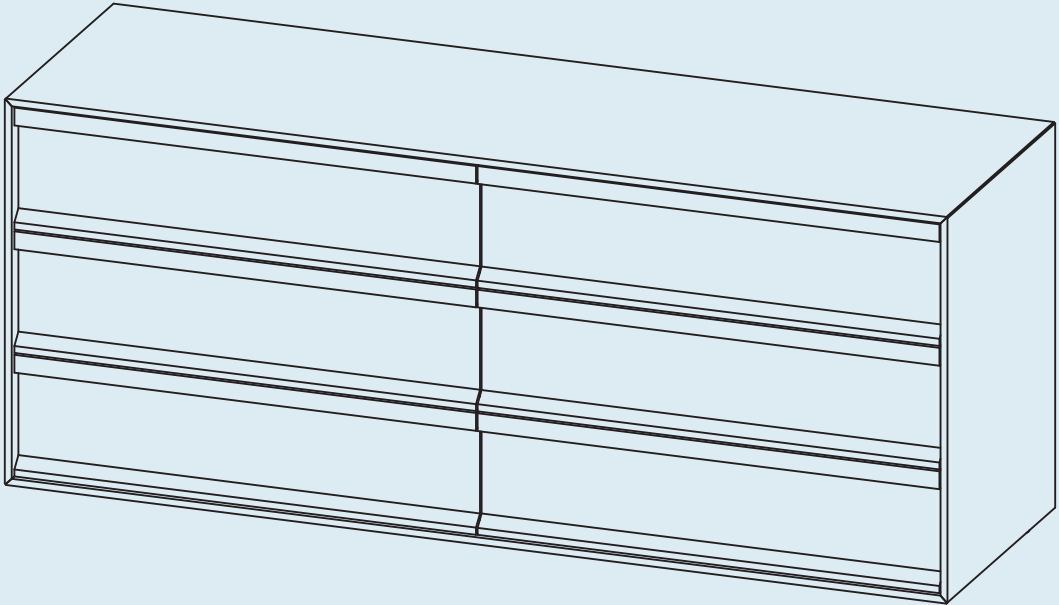
QTY

PT. 8041



6

Foot



QTY

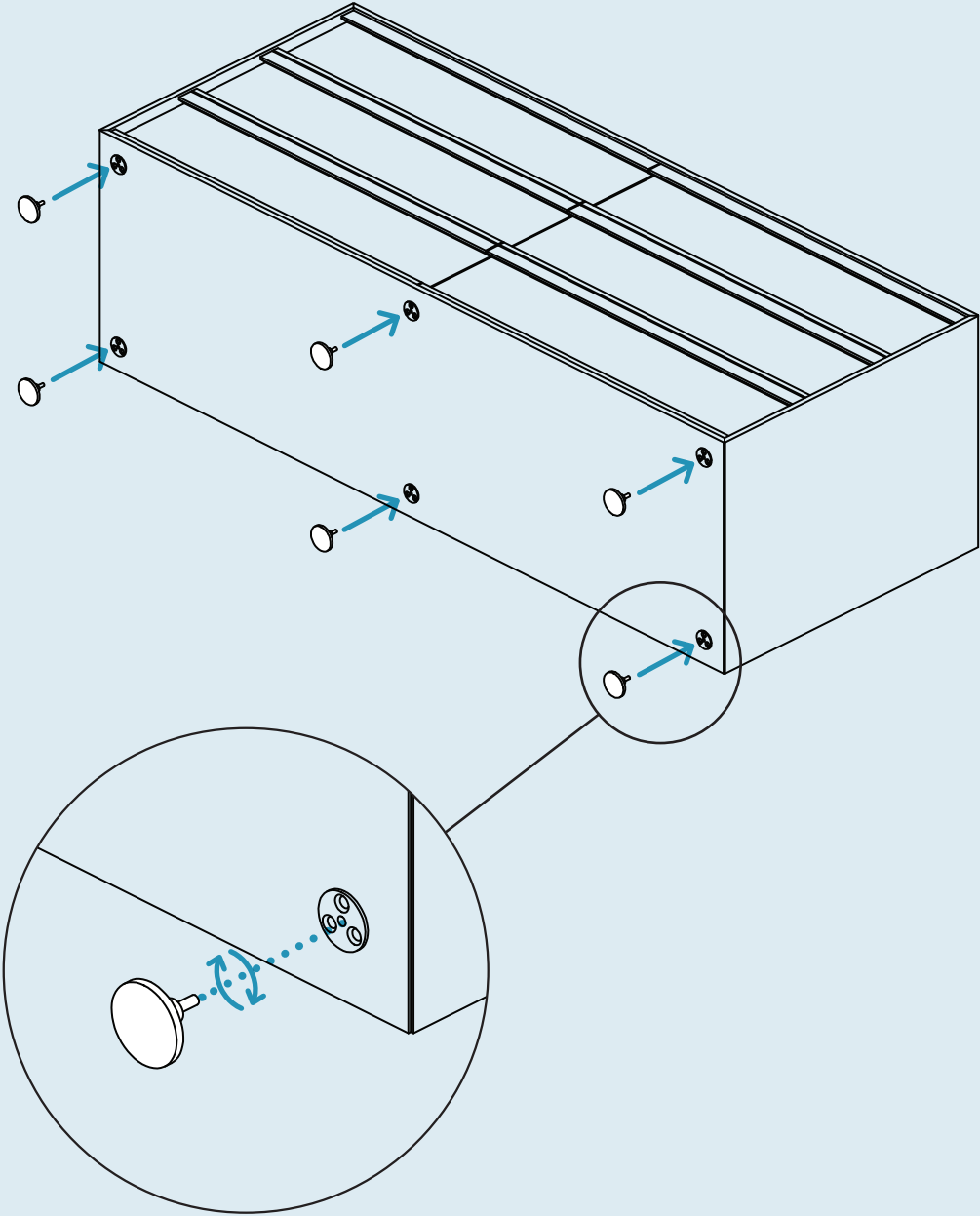
1

Case

# Step 01

## ATTACH THE FEET.

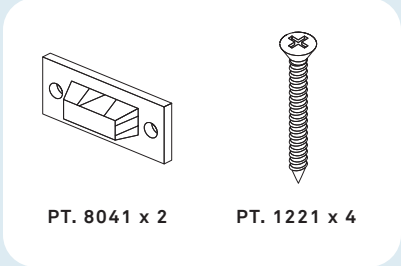
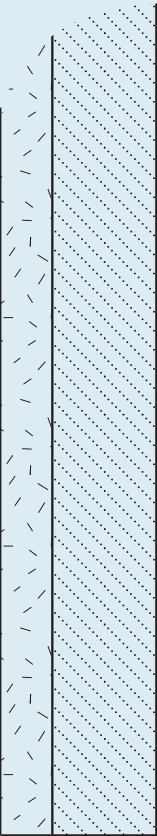
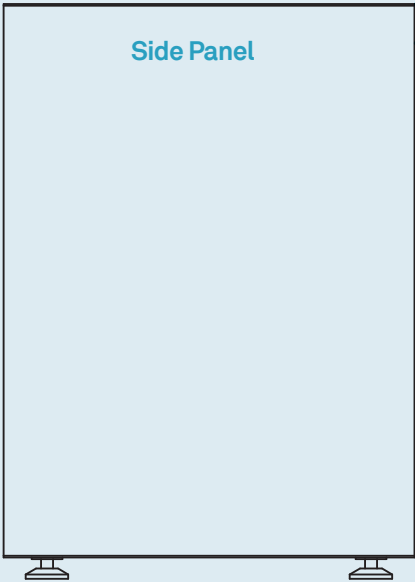
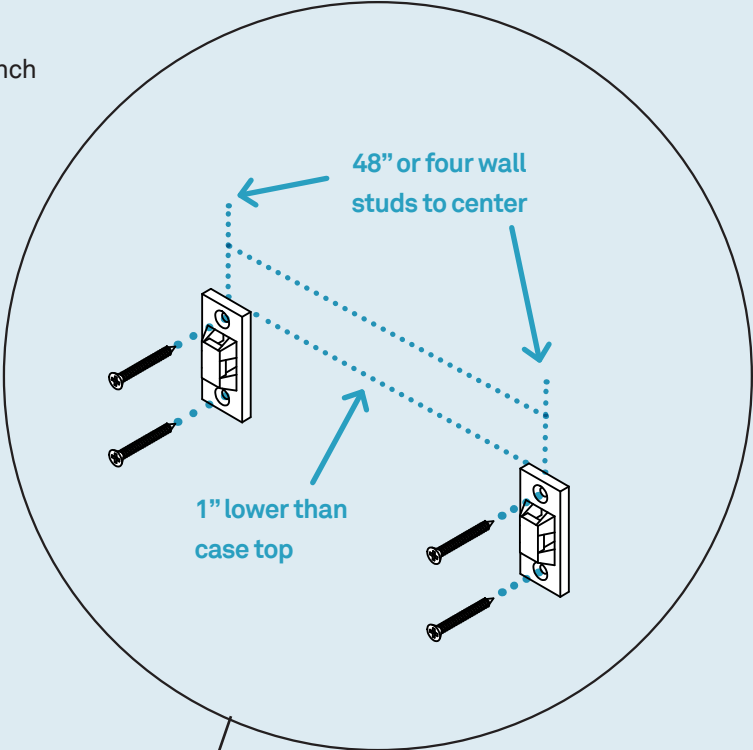
Attach adjustable feet as shown. After the legs have been attached have a second person help lift and bring the case upright to prevent leg damage.



# Step 02

ATTACH ANTI-TIP BRACKETS TO THE WALL.

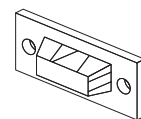
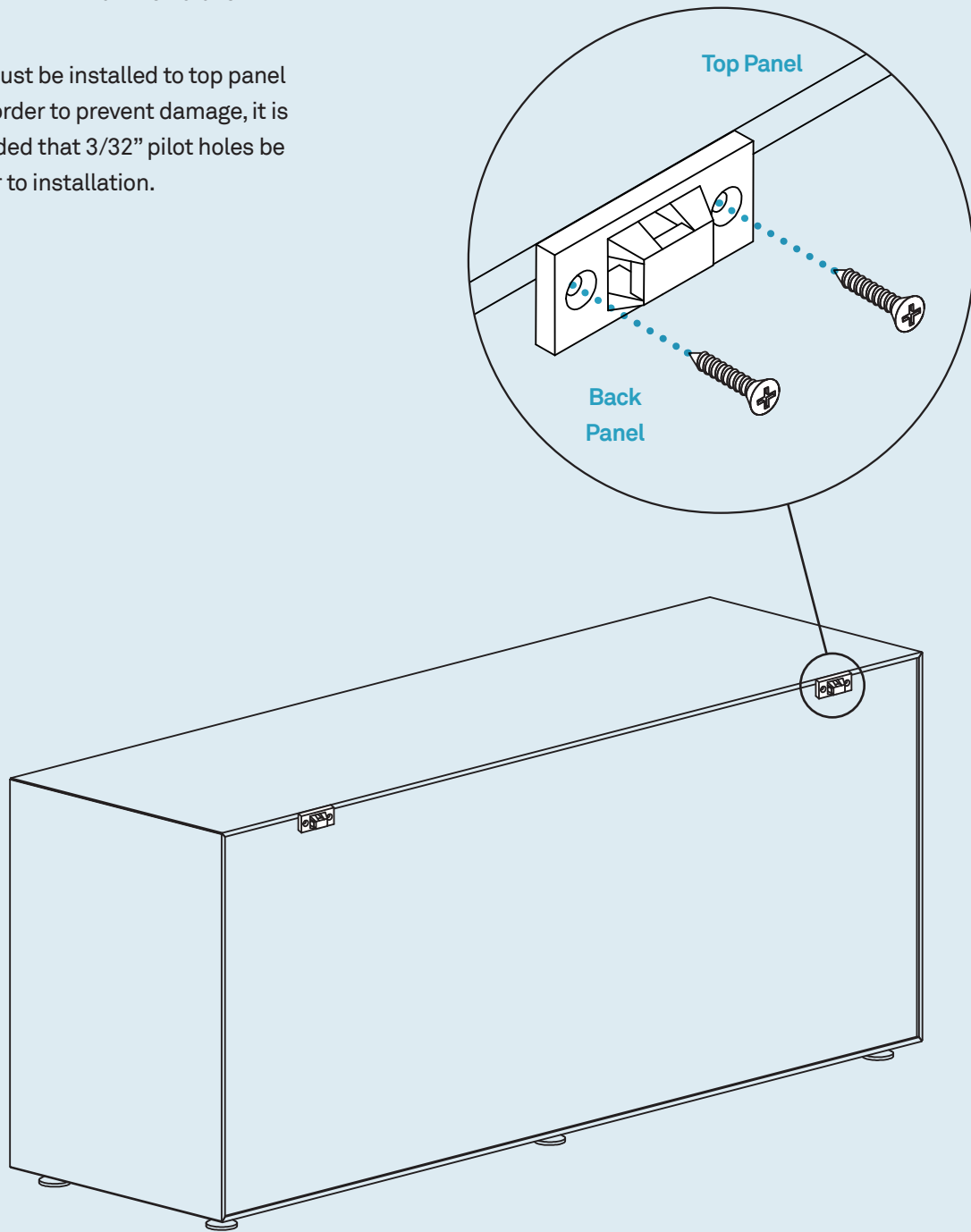
Install anti-tip brackets to wall stud 1-inch below case top panel height.



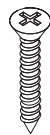
## Step 03

### INSTALL ANTI-TIP BRACKETS TO CASE.

Brackets must be installed to top panel of case. In order to prevent damage, it is recommended that 3/32" pilot holes be drilled prior to installation.



PT. 8041 x 2

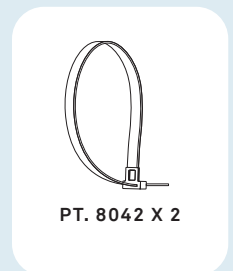
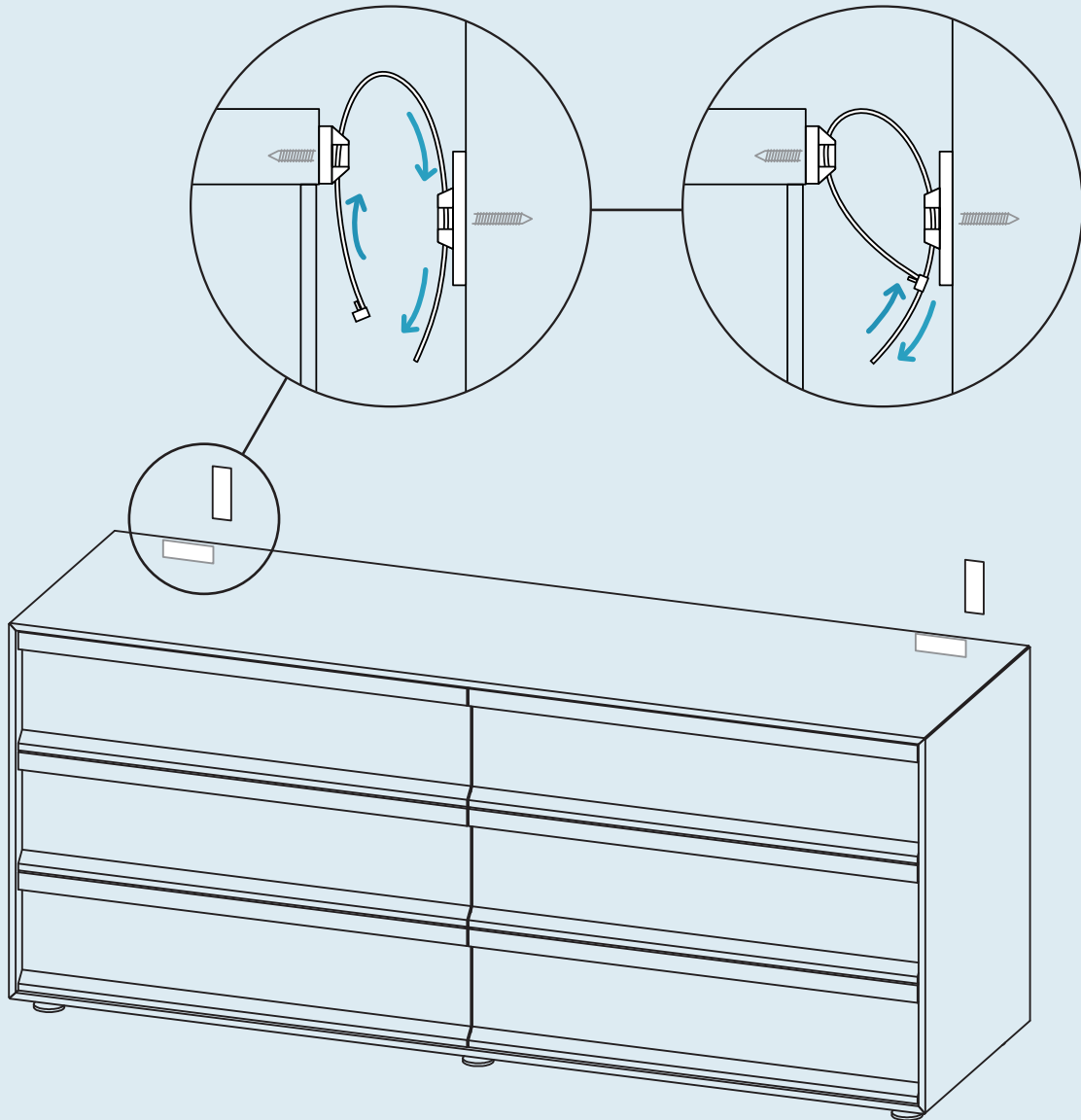


PT. 1220 x 4

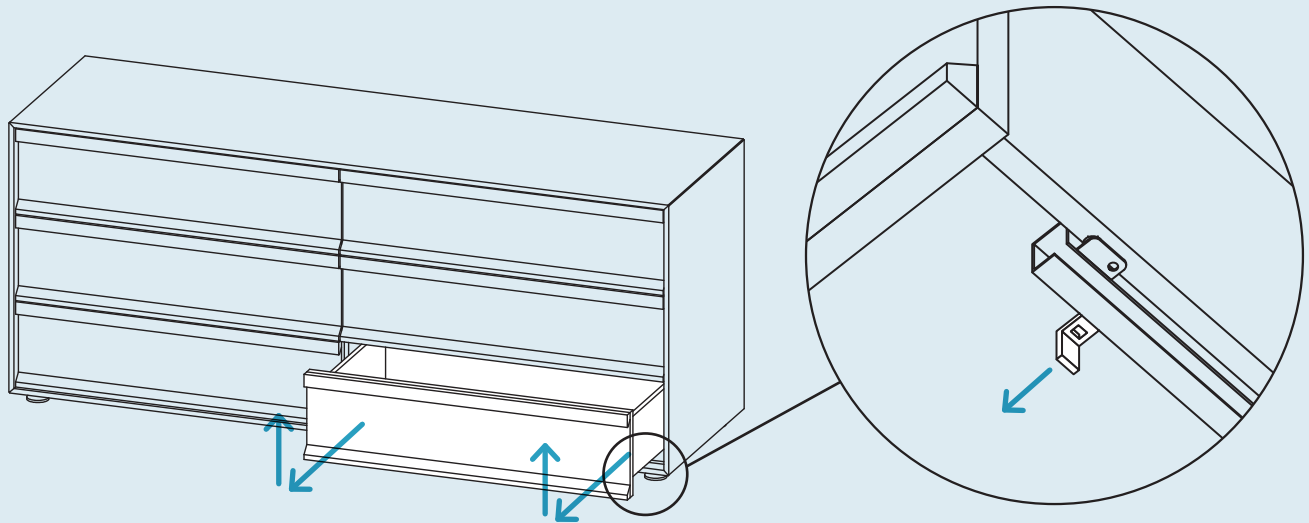
# Step 04

SECURE THE CASE.

Install and tighten the straps prior to using the product.

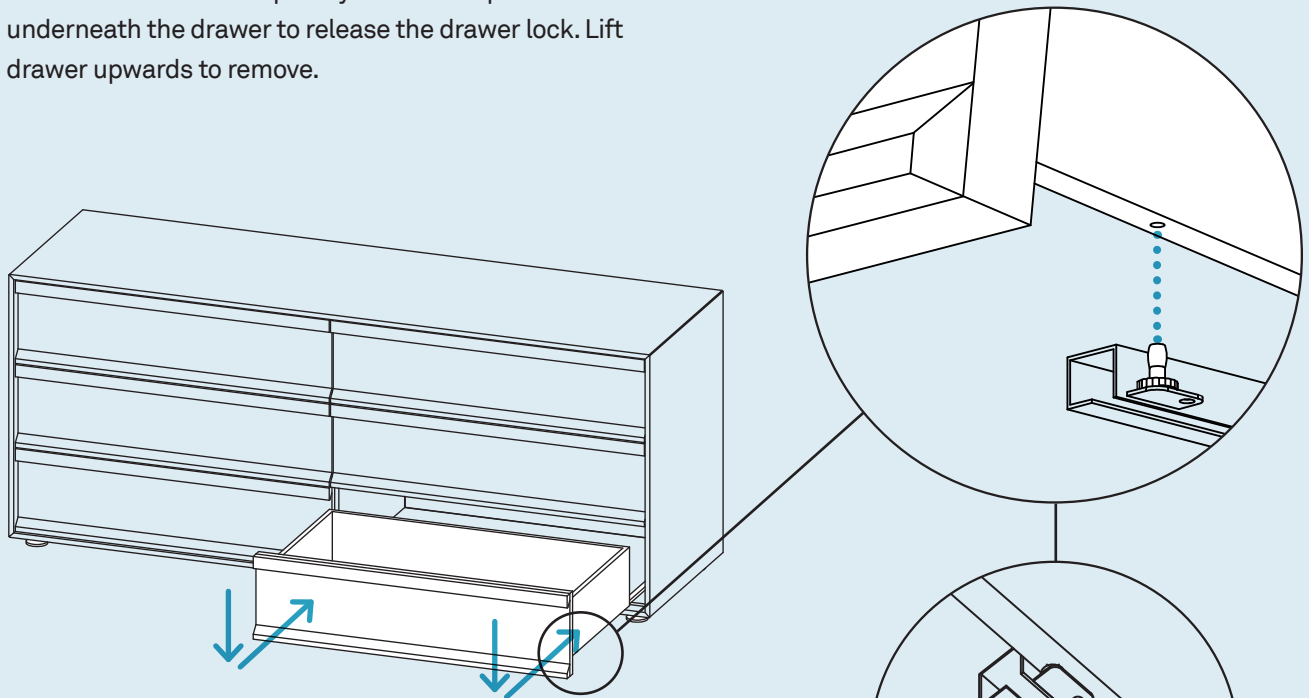


# Additional Information



## TO REMOVE DRAWERS.

Extend the drawer completely. Pull on the plastic tabs underneath the drawer to release the drawer lock. Lift drawer upwards to remove.



## TO REINSTALL THE DRAWER.

Lower drawer front to align with pin. Push on plastic tabs underneath the drawer to engage the drawer lock.

## Additional Information

### CLEAN

Clean with a slightly damp, soft cloth. To remove dirt and fingerprints, use a quality cleaner formulate for wood furniture. Wipe completely dry with a soft cloth in the direction of the wood grain.

